

Scalable FS Metadata Access

... a brief history

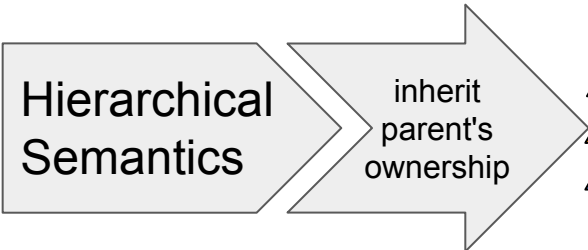
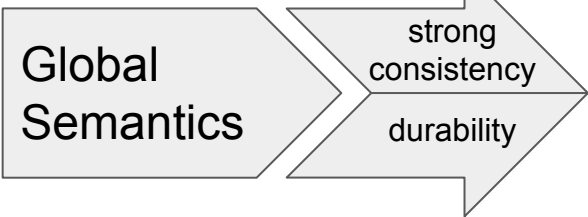
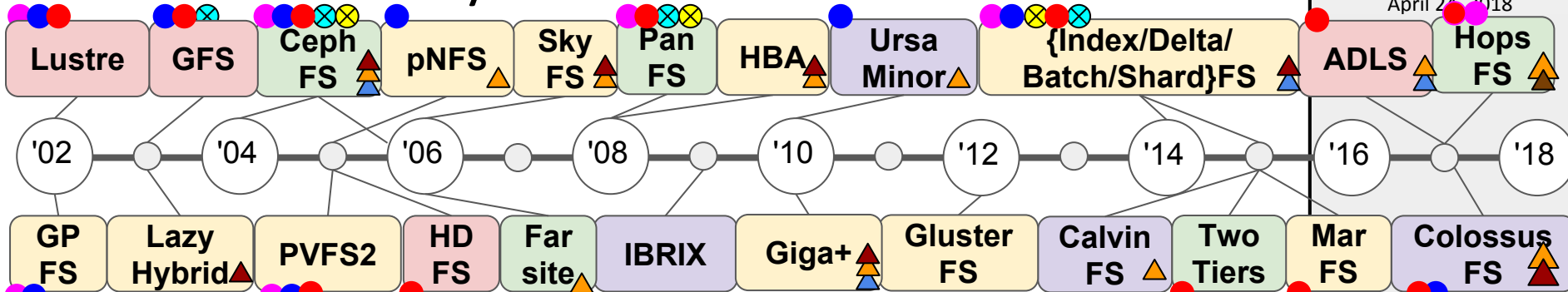
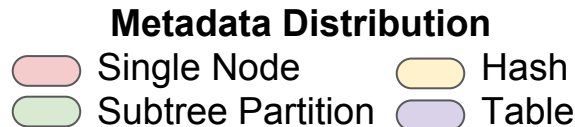
Scalable, Global

Namespaces

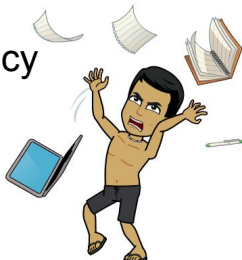
Dissertation Defense

Michael A. Sevilla

April 24, 2018



- lock management
- relaxing consistency
- caching inodes
- journal formats
- journal safety
- caching paths
- metadata distribution
- load balancing



IN SUMMARY

'clean-slate' file systems

File System

